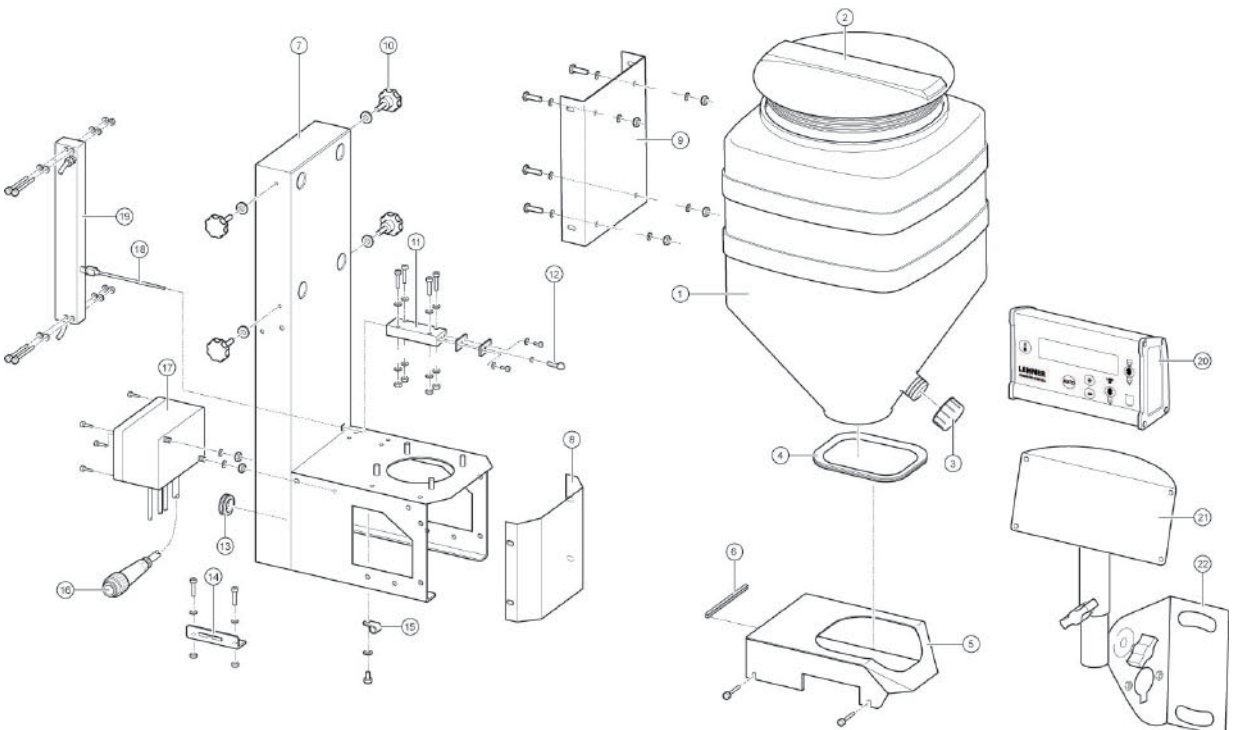


# 7 Appendix

## 7.3 List of spare parts

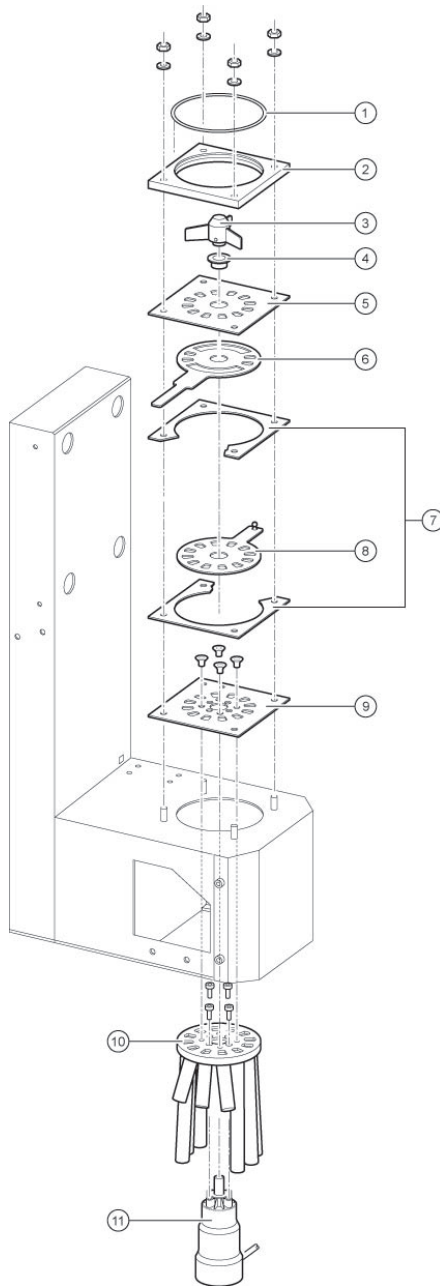


# 7 Appendix

## VINERO® parts list

Designation	Quantity	Material	Size
1 Hopper	1	Plastic	70/100/170 ltr.
2 Sealing cap	1	Plastic	
3 Discharge cover	1	Plastic	
4 Edge guard with padding for hopper	1	Plastic	
5 Cover plate	1	VA	
6 Edge guard with padding	1	Plastic	
7 Steel frame	1	VA	
8 Front plate	1	VA	
9 Hopper bracket	1	VA	100/170 ltr.
10 Knurled screw	4	Plastic / VA	M 8/15
11 Chain guide	1	Plastic	
12 Ball joint head	1	Plastic	Left thread
13 Rubber grommet	1	Plastic	
14 Adjuster slide guide	1	VA	
15 Plastic clamp	1	Plastic	
16 Control cable with plug	1		6/11 meters
17 Distributor box	1	Plastic	
18 Pushrod	1	VA	
19 Chain motor	1		
20 Control panel	1		
21 Upper part of bracket	1	Steel	
22 Lower part of bracket		Steel	

# 7 Appendix



# 7 Appendix

## Parts list for VINERO® slide unit

Designation	Quantity	Material	Size
1 Hopper seal	1	Rubber	140
2 Hopper platform	1	plastic	150/150/15
3 Agitator	1	VA	
4 Guide bush for slide	1	Plastic	
5 Dosing plate	1	VA	2 mm
6 Adjuster slide	1	VA	2 mm
7 Slide guide	2	VA	2.5 mm
8 Dosing slide	1	VA	2 mm
9 Base plate	1	VA	4 mm
10 Tube plate	1	Plastic	
11 Drive motor	1		